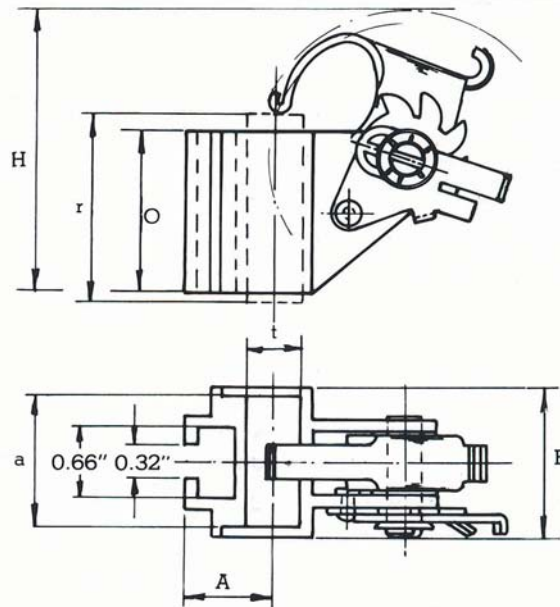


CANTILEVER FORCE BRUSH HOLDERS KA radial type

Cantilever force KA radial type holder



Metric dimensions

Type number	t	a	r	O	A	B	H
KA1206m/3004	10	20	32	25	14.5	24.6	58
KA1208m/3004	12.5	20	32	25	15.8	24.6	60
KA1210m/3004	16	20	32	25	17.5	24.6	61
KA1606m/3003	10	25	40	32	14.5	31.0	58
KA1608m/3003	12.5	25	40	32	15.8	31.0	60
KA1610m/3003	16	25	40	32	17.5	31.0	61
KA1612m/3003	20	25	40	32	19.0	31.0	61
KA2006m/3010	10	32	45	38	19.7	36.0	74
KA2008m/3010	12.5	32	45	38	21.0	36.0	77
KA2010m/3010	16	32	45	38	22.7	36.0	77
KA2012m/3010	20	32	45	38	24.7	36.0	77
KA2016m/3010	25	32	45	38	27.2	36.0	77

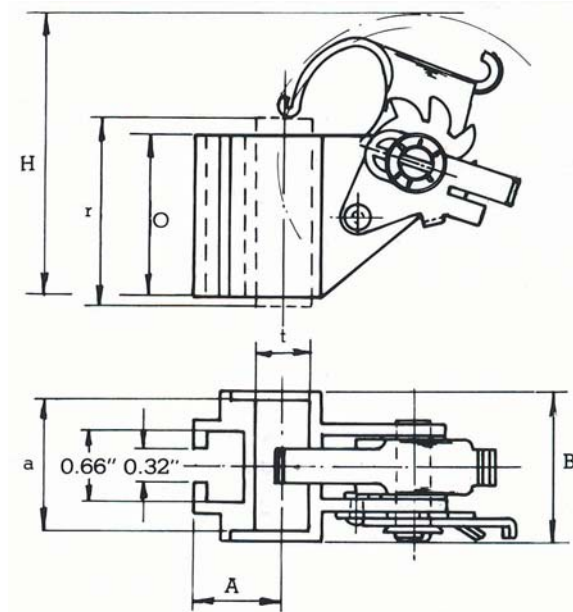
Adjustable spring tension by five-position lever. Hold off position engaged by pressure on the thumb trigger and release by lifting.

Finish – Clear lacquer on electro tin plate



CANTILEVER FORCE BRUSH HOLDERS KA radial type

Cantilever force KA radial type holder



Imperial dimensions

Type number	t	a	r	O	A	B	H
KA1206/3002	3/8	3/4	1 1/4	1	9/16	31/32	2 1/16
KA1208/3002	1/2	3/4	1 1/4	1	5/8	31/32	2 3/16
KA1408/3003	1/2	7/8	1 1/2	1 1/4	5/8	1 3/32	2 1/2
KA1410/3002	5/8	7/8	1 1/2	1 1/4	11/16	1 3/32	2 1/2
KA1608/3002	1/2	1	1 1/2	1 1/4	5/8	1 7/32	2 1/2
KA1610/3002	5/8	1	1 1/2	1 1/4	11/16	1 7/32	2 1/2
KA2006/3002	3/8	1 1/4	1 3/4	1 1/2	49/64	1 13/32	2 3/4
KA2008/3004	1/2	1 1/4	1 3/4	1 1/2	53/64	1 13/32	2 3/4
KA2010/3004	5/8	1 1/4	1 3/4	1 1/2	57/64	1 13/32	2 3/4
KA2012/3003	3/4	1 1/4	1 3/4	1 1/2	61/64	1 13/32	2 15/16
KA2014/3002	7/8	1 1/4	1 3/4	1 1/2	1 1/64	1 13/32	2 15/16
KA2016/3004	1	1 1/4	1 3/4	1 1/2	1 5/64	1 13/32	3

Adjustable spring tension by five-position lever. Hold off position engaged by pressure on the thumb trigger and release by lifting.

Finish – Clear lacquer on electro tin plate

