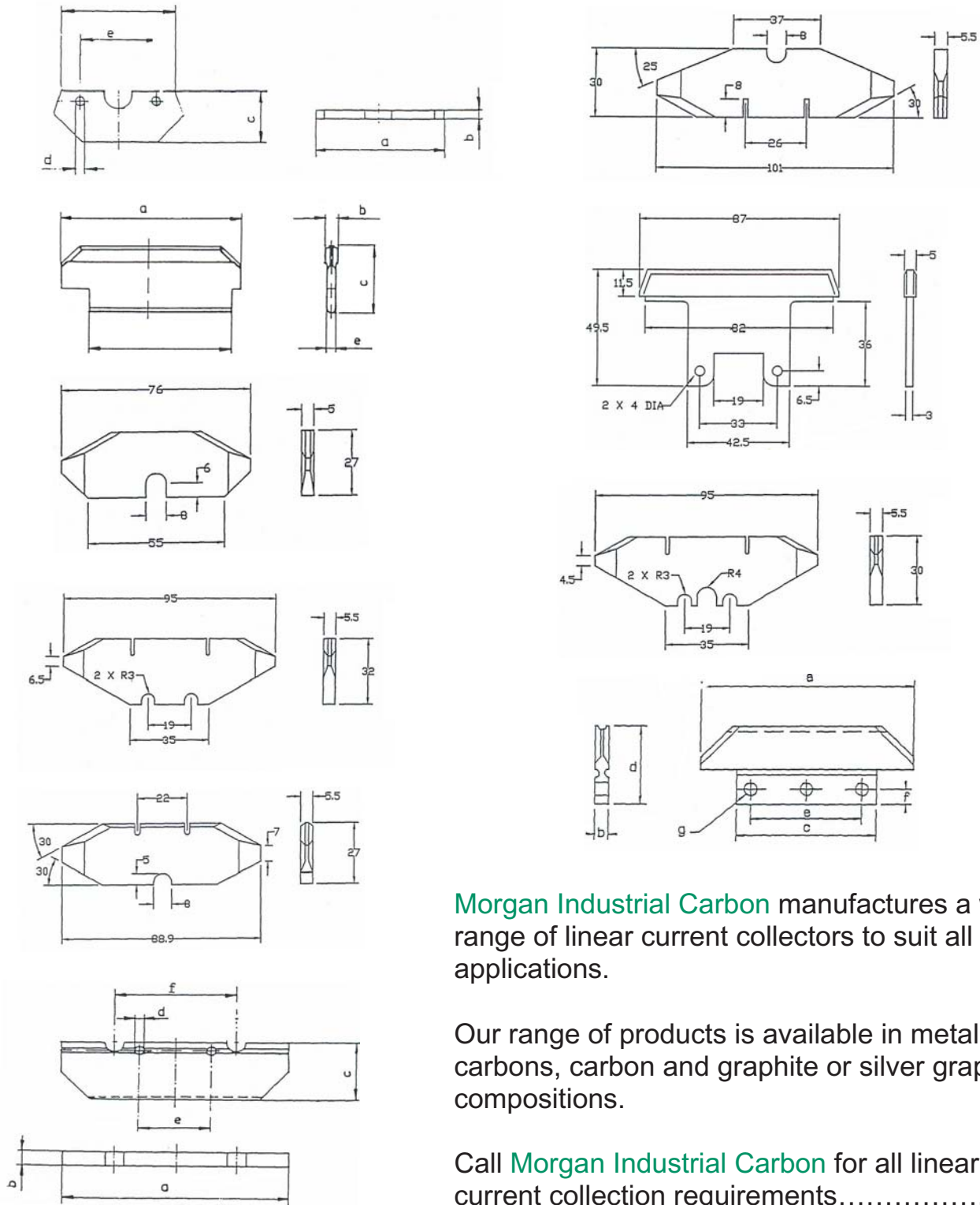


LINEAR CURRENT COLLECTORS

carbon & copper graphite



Morgan Industrial Carbon manufactures a wide range of linear current collectors to suit all applications.

Our range of products is available in metallised carbons, carbon and graphite or silver graphite compositions.

Call Morgan Industrial Carbon for all linear current collection requirements.....



Head Office-Sydney

21 Amour St
Revesby NSW 2212
T: 02 9772 5600
F: 02 9774 5677
E: sales@morgancarbon.com.au

Melbourne

5/23-25 Bunney Rd
South Oakleigh VIC 3167
T: 03 9551 2377
F: 03 9551 2177
E: mel@morgancarbon.com.au

Perth

4/195 Bannister Rd
Canning Vale WA 6155
T: 08 9456 3711
F: 08 9456 3716
E: per@morgancarbon.com.au

Brisbane

34 Aerodrome Rd
Caboolture QLD 4510
T: 07 5433 7100
F: 07 5432 4899
E: bri@morgancarbon.com.au

Auckland

5c Clemway Place
PO Box 21195
Henderson Auckland 1231 New Zealand
T: 09 836 9220 / 0800 CARBON (0800 227 266)
F: 09 836 9129 / 0800 4 BRUSH (0800 427 874)
E: sales@morgancarbon.co.nz