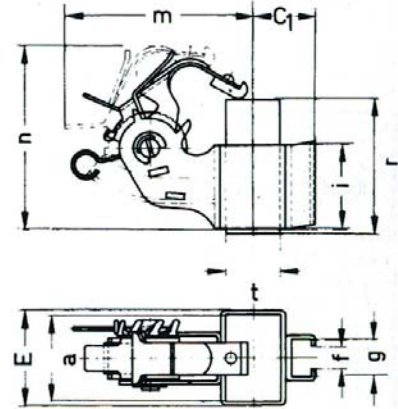
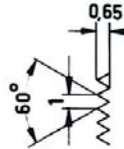
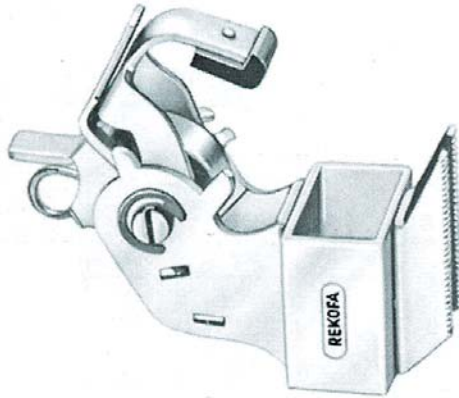


# RNV CLOCKSPRING TYPE

## brush holders



### Metric dimensions

Type number	Type number	t	a	r	C1	E	Bolt size	g	i	l	m	n
Without sparking shield	With sparking shield											
RNV1016		10	16	25	15	19	M6	10.5	20	-	40	44
	RNVF1016	10	16	25	15	19	M6	10.5	20	-	40	44
RNV1020		10	20	25	15	23	M6	10.5	20	-	40	44
	RNVF1020	10	20	25	15	23	M6	10.5	20	-	40	44
RNV1025		10	25	32	15	28	M6	10.5	25	36	52	55
	RNVF1025	10	25	32	15	28	M6	10.5	25	36	52	55
RNVA1025		10	25	32	15	28	M6	10.5	25	-	52	55
	RNVFA1025	10	25	32	15	28	M6	10.5	25	-	52	55
RNV1225		12.5	25	40	16.3	28	M6	10.5	25	36	53	55
	RNVF1225	12.5	25	40	16.3	28	M6	10.5	25	36	53	55
RNVA1225		12.5	25	40	16.3	28	M6	10.5	25	-	53	55
	RNVFA1225	12.5	25	40	16.3	28	M6	10.5	25	-	53	55
RNV1625		16	25	40	18	28	M6	10.5	25	36	55	55
	RNVF1625	16	25	40	18	28	M6	10.5	25	36	55	55
RNVA1625		16	25	40	18	28	M6	10.5	25	-	55	55
	RNVFA1625	16	25	40	18	28	M6	10.5	25	-	55	55

Brush boxes are extruded brass  
Suited for medium peripheral speeds

