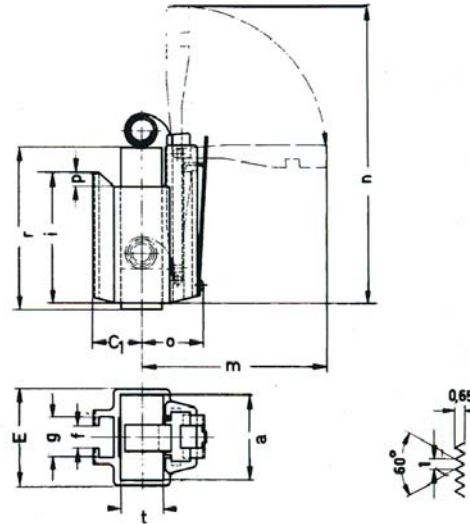


# RTR CONSTANT FORCE

## brush holders



### Metric dimensions

Type number	t	a	r	C1	E	f	g	i	m	n	o	p
RTR820	8	20	40	14	24	M6	10.5	32	44	71	17	4
RTR1020	10	20	40	15	24	M6	10.5	32	45	71	18	4
RTR1220	12.5	20	40	16.3	24	M6	10.5	32	46	71	19	4
RTR1225	12.5	25	50	16.3	30	M6	10.5	40	57	90	21	5
RTR1625	16	25	50	18	30	M6	10.5	40	59	90	23	5
RTR1032	10	32	64	15.5	37	M8	14.5	50	66	110	20	5
RTR1232	12.5	32	64	16.8	37	M8	14.5	50	67	112	21	5
RTR1632	16	32	64	18.5	37	M8	14.5	50	69	114	23	5
RTR2032	20	32	64	20.5	37	M8	14.5	50	71	116	25	5
RTR2532	25	32	64	23	37	M8	14.5	50	73	116	28	5
RTR2540	25	40	64	24.5	45	M8	14.5	50	73	116	29	5

For all peripheral speeds  
Brush boxes are brass die cast



**Head Office-Sydney**  
21 Amour St  
Revesby NSW 2212  
T: 02 9772 5600  
F: 02 9774 5677  
E: sales@morgancarbon.com.au

**Melbourne**  
5/23-25 Bunney Rd  
South Oakleigh VIC 3167  
T: 03 9551 2377  
F: 03 9551 2177  
E: mel@morgancarbon.com.au

**Perth**  
4/195 Bannister Rd  
Canning Vale WA 6155  
T: 08 9456 3711  
F: 08 9456 3716  
E: per@morgancarbon.com.au

**Brisbane**  
34 Aerodrome Rd  
Caboolture QLD 4510  
T: 07 5433 7100  
F: 07 5432 4899  
E: bri@morgancarbon.com.au

**Auckland**  
5c Clemway Place  
PO Box 21195  
Henderson Auckland 1231 New Zealand  
T: 09 836 9220 / 0800 CARBON (0800 227 266)  
F: 09 836 9129 / 0800 4 BRUSH (0800 427 874)  
E: sales@morgancarbon.co.nz