

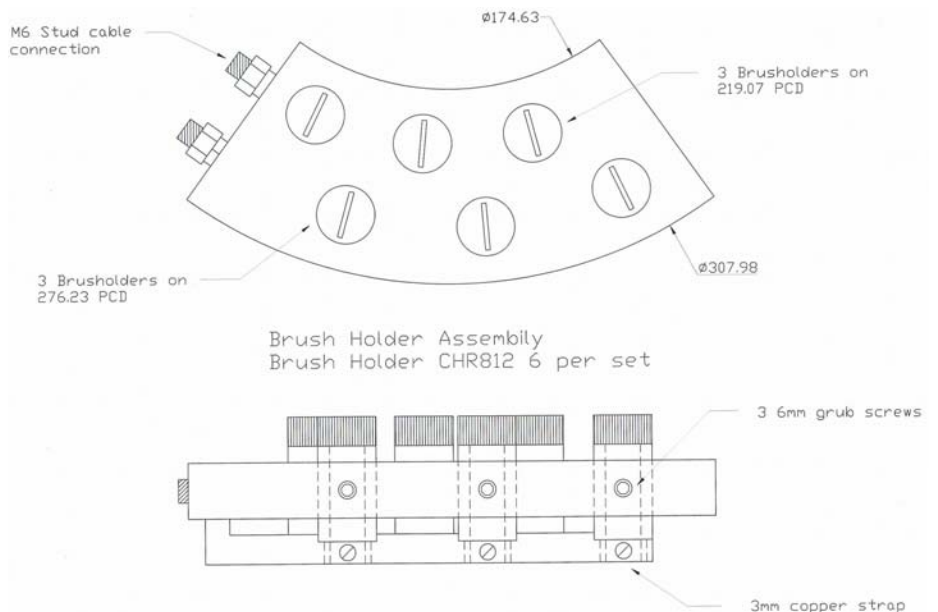
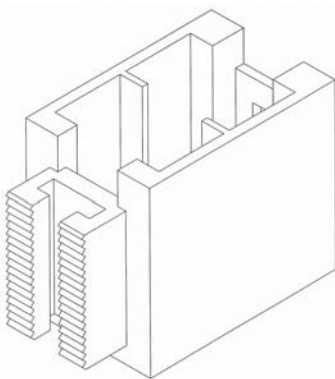
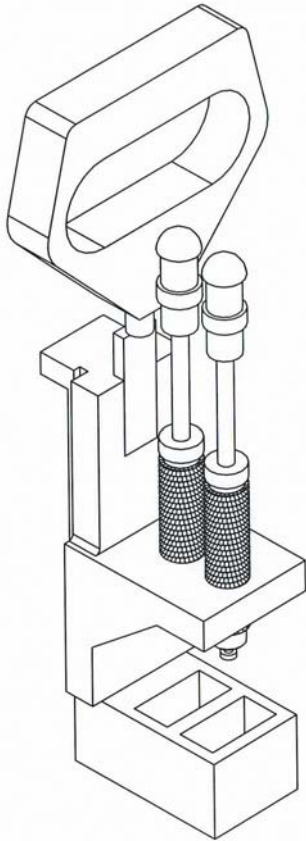
REDESIGN... REPAIR... OR

refurbishment service

Morgan Industrial Carbon is your one stop shop for all redesign...repair...or refurbishment requirements.

Utilising state of the art computer aided drawing packages combined with in-house expertise..we can bring back to life or redesign to new

- Slipping assemblies
- Brush holders
- Contact tips



Give us your worst.....

and we will do our best...

Morgan Industrial Carbon

