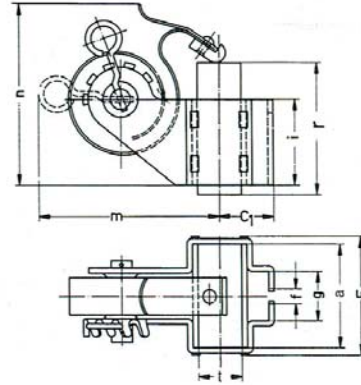
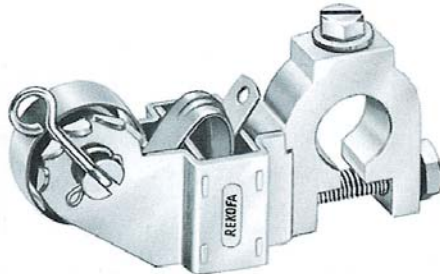


TA CLOCKSPRING TYPE

brush holders



Metric dimensions

Type number	t	a	r	C1	E	Bolt size	g	i	m	n
TA812	8	12.5	25	12	16	M5	8.2	16	35	39
TA816	8	16	25	12	19.5	M5	8.2	16	35	39
TA1016	10	16	25	12.3	19.5	M5	8.2	18	38	42
TA1216	12.5	16	25	13.3	19.5	M5	8.2	18	37	42
TA620	6.3	20	25	12.5	24	M5	10	20	43	45
TA820b	8	20	32	12.8	24	M5	10	20	46	52
TA1020a	10	20	25	13.2	24	M5	10	14	36	37
TA1020b	10	20	32	13.8	24	M5	10	20	45	52
TA1220	12.5	20	32	15.5	24	M6	13	20	48	52
TA1620	16	20	32	17	24	M6	13	20	50	52
TA825	8	25	32	13	29	M6	13.2	20	47	52
TA1025a	10	25	32	14.1	29	M6	13.2	20	47	52
TA1225a	12.5	25	32	15.5	29	M6	13.2	20	49	52
TA1225b	12.5	25	40	16.5	29	M6	13.2	24	52	60
TA1625a	16	25	32	17.1	29	M6	13.2	20	50	52
TA1625b	16	25	40	18.5	29	M6	14.2	26	55	60
TA2025	20	25	40	20.5	29	M6	14.2	26	57	60
TA832	8	32	40	14.5	36	M6	14.2	26	56	60
TA1032	10	32	40	15	36	M6	15.4	26	56	60
TA1232	12.5	32	40	16	36	M6	15.4	26	56	60
TA1632	16	32	40	17	36	M6	16.8	26	56	60
TA2032	20	32	40	19	36	M6	16.8	26	57	60

Brush boxes are riveted brass
For medium peripheral speeds



Head Office-Sydney
21 Amour St
Revesby NSW 2212
T: 02 9772 5600
F: 02 9774 5677
E: sales@morgancarbon.com.au

Melbourne
5/23-25 Bunney Rd
South Oakleigh VIC 3167
T: 03 9551 2377
F: 03 9551 2177
E: mel@morgancarbon.com.au

Perth
4/195 Bannister Rd
Canning Vale WA 6155
T: 08 9456 3711
F: 08 9456 3716
E: per@morgancarbon.com.au

Brisbane
34 Aerodrome Rd
Caboolture QLD 4510
T: 07 5433 7100
F: 07 5432 4899
E: bri@morgancarbon.com.au

Auckland
5c Clemway Place
PO Box 21195
Henderson Auckland 1231 New Zealand
T: 09 836 9220 / 0800 CARBON (0800 227 266)
F: 09 836 9129 / 0800 4 BRUSH (0800 427 874)
E: sales@morgancarbon.co.nz