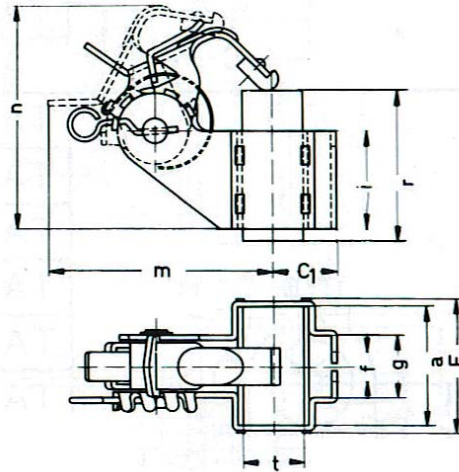
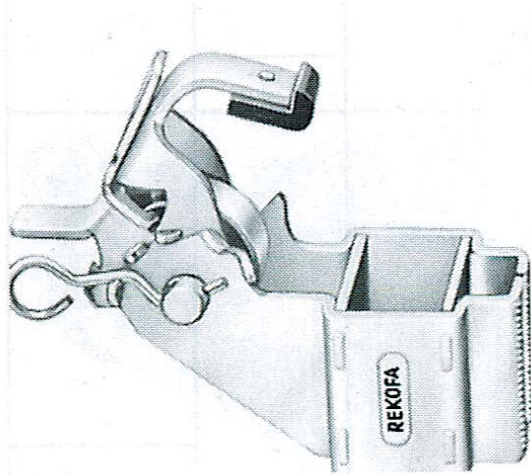


TD CLOCKSPRING TYPE

brush holders



Metric dimensions

Type number	t	a	r	C1	E	Bolt size	g	i	m	n
TD812	8	12.5	25	12	16	M5	8.2	16	38	36
TD616	6.3	16	25	11.2	19.5	M5	8.2	16	38	36
TD816	8	16	25	12	19.5	M5	8.2	16	38	36
TD1016	10	16	25	13	19.5	M5	8.2	16	38	36
TD1216	12.5	16	25	13.8	19.5	M5	8.2	18	40	38
TD1025	10	25	40	15	29	M6	13.2	24	53	53
TD1225	12.5	25	40	16.3	29	M6	13.2	24	53	53
TD1625	16	25	40	18	29	M6	14.2	26	60	60
TD2025	20	25	40	20	29	M6	14.2	26	60	60
TD832	8	32	40	14.5	36	M6	14.2	26	60	60
TD1032	10	32	40	15	36	M6	15.4	26	60	60
TD1232	12.5	32	40	16	36	M6	15.4	26	60	60
TD1632	16	32	40	17	36	M6	16.8	26	60	60
TD2032	20	32	40	19	36	M6	16.8	26	60	60

Brush boxes are riveted brass.
Suitable for medium peripheral speeds

