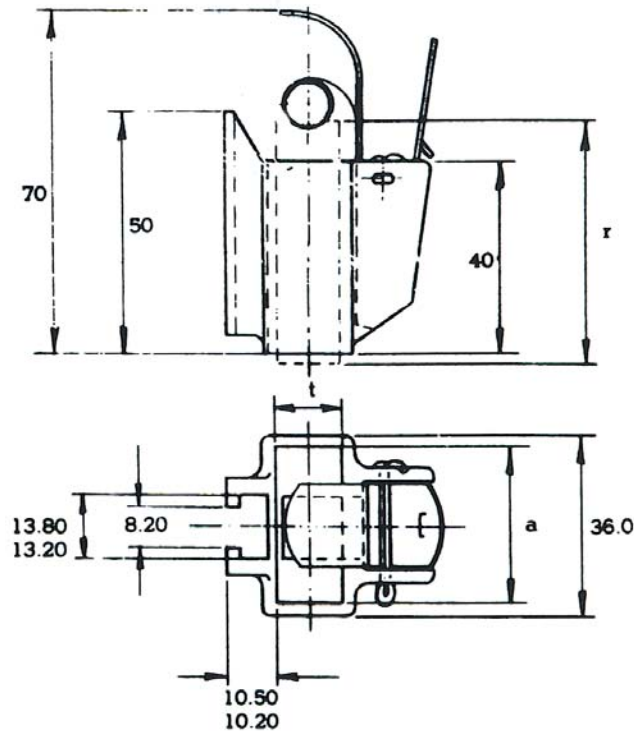


# CONSTANT FORCE BRUSH HOLDERS ZKA short type

## Series ZKA (cast) short radial brush holder



Type number	t	a	r	GMS force	Newtons
ZKA2008m/13	12.5	32	50	884	8.67
ZKA2010m/13	16	32	50	1043	10.23
ZKA2012m/13	20	32	50	1284	12.59
ZKA2016m/13	25	32	50	1606	15.75

This design incorporates a facility for holding the brush in a retracted position to enable commutator maintenance to be more easily effected.

Finish – natural lacquered

